

ENSOL™ **Portable compactors/Stationary, Pendulum, Baling presses/ Transfer stations**



For Secondary collection & compression of
Garbage / Solid Waste Capacity Range 8 CuM,
24 CuM.



APPLICATIONS :

This compactor is designed for pressing the municipal waste. The standard produced Versions include 10 m³, 20 m³ and 24 m³. The pressing part is fixed to the container. The container has conic sides in order to enable better emptying.

The massive single-wing door with rectifiers enables perfect shifting of the pressed waste inside the container. The door can be equipped with rubber sealing in order to prevent the liquid waste leakage. The door is equipped with three hinges ratchet mechanism. This compactor is equipped with the tensing hook (handling hook can be provided upon request). In order to enable simple handling, the press is equipped with four scrolls.

ADVANTAGES :

- Easy to operate as no special skill is required.
- Ideal for multiple point collection system with low operation cost to transfer waste to landfill sites
- Very low maintenance cost.
- Modern equipment to increase dignity of labour.



Accessories shown are not part of standard equipment..

Ensol Multiclean Equipments Pvt. Ltd.

#401, Neelkanth, Opp. Sahakar Bhawan, Bhawani Singh Lane, Jaipur - 302 001 Raj. (India)
Phone : +91-141-222 6933 | Facsimile : +91-141-222 6934 | E-mail : info@ensolindia.com
Website : www.ensolindia.com | www.ensol.co.in

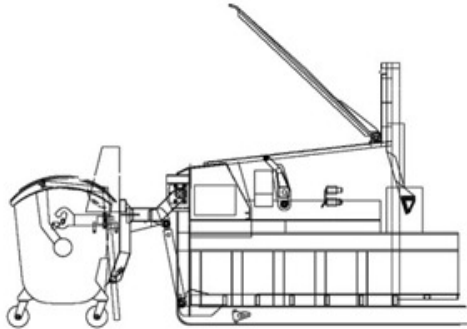


Portable compactors/Stationary, Pendulum, Baling presses/ Transfer stations



Also available on
• HIRE
• LEASING
• RENTAL

APPLICATION



Loader



Collection & Compression



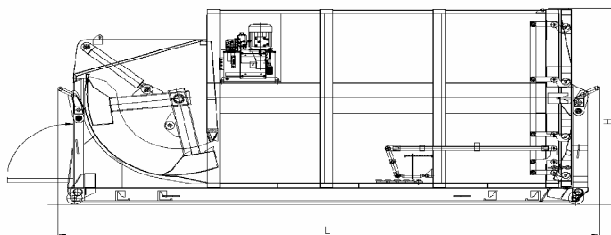
Loading



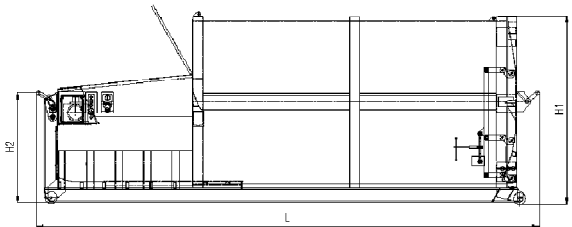
Transportation



Dumping



Pendulum Presses



Portable Compactor

Ensol Multiclean Equipments Pvt. Ltd.
#401, Neelkanth, Opp. Sahakar Bhawan, Bhawani Singh Lane, Jaipur - 302 001 Raj. (India)
Phone : +91-141-222 6933 | Facsimile : +91-141-222 6934 | E-mail : info@ensolindia.com
Website : www.ensolindia.com | www.ensol.co.in

#For reference only. In the interest of technical development, we reserve the right to alter equipment without prior notice.